

Twin Twist, Counter-Top, Gravity Soft Serve/Yogurt Freezer

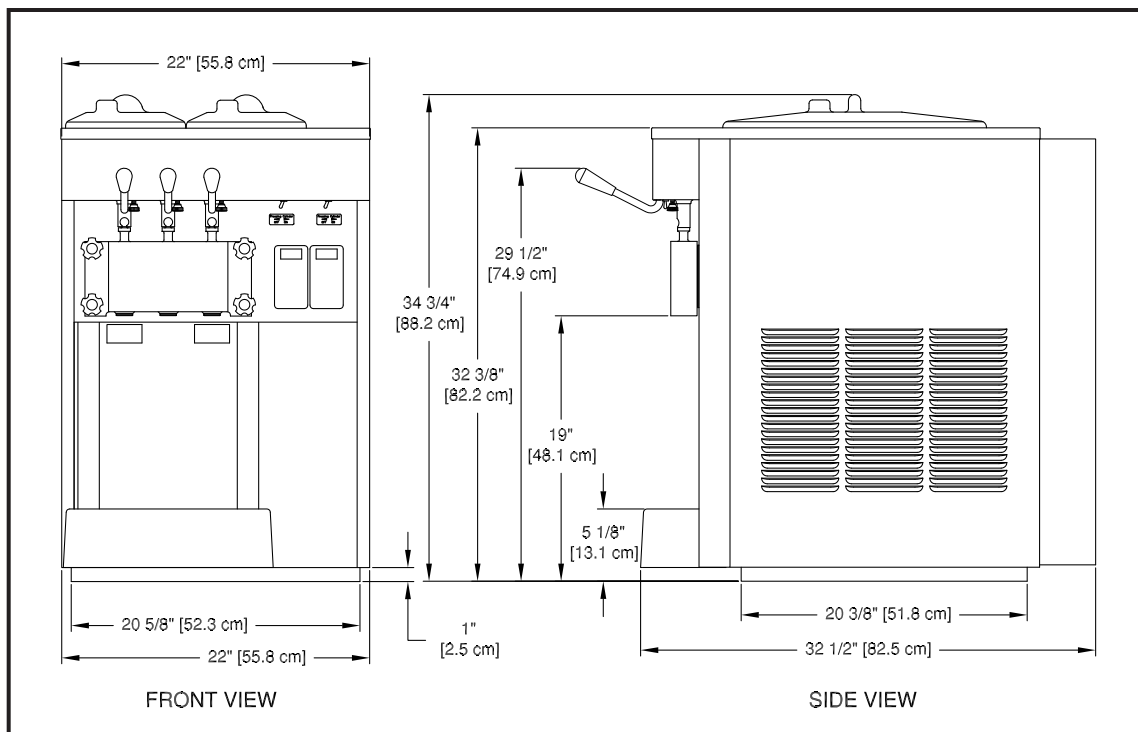
E131/F131



*Modified Design for Frozen
Yogurt Installations*

- Precision controlled refrigeration system designed for quality product consistency from the first cone to the last.
- Hard-working, compact counter-top unit handles peak demands, while providing years of dependable service.
- IntelliTec™ control communicates with operator for worry-free operation.
- Energy Conservation Mode (ECM) protects product from over-agitation during slow or non-draw periods.
- Proprietary auger design gently folds mix and prevents product breakdown, producing a smoother, creamier product.
- Clear door shows visible moving product for merchandising appeal.
- Self-closing spigot eliminates waste and ensures precise portion control.
- Adjustable dispense rate for optimal product output.
- Long-wearing parts offer lower preventative maintenance costs.
- Built for ease of operation and cleaning.
- Twist feature allows you to serve two flavors individually or combine flavors for a unique twist.
- Optional shake mixer which mounts to the machine.
- Optional floor stand creates a “floor model” package, freeing up counter space and providing additional storage.





	E131		F131	
Dimensions	Freezer	with crate	Freezer	with crate
width	22" (55,8 cm)	28" (71,0 cm)	22" (55,8 cm)	28" (71,0 cm)
height	34-3/4" (88,2 cm)	40-1/4" (102,2 cm)	34-3/4" (88,2 cm)	40-1/4" (102,2 cm)
depth	28-1/2" (72,4 cm)	35-1/4" (89,5 cm)	28-1/2" (72,4 cm)	35-1/4" (89,5 cm)
Weight	370 lbs (167,8 kg)	450 lbs (204,0 kg)	385 lbs (174,5 kg)	470 lbs (213,1 kg)
* Electrical	1 Phase, 208-230 VAC, 60Hz		1 Phase, 208-230 VAC, 60Hz	
running amps	12A		12A	
connection type	NEMA6-20P power cord provided		NEMA6-20P power cord provided\	
International Option	1 Phase, 220-240 VAC, 50Hz		1 Phase, 220-240 VAC, 50Hz	
Compressor	8,600 Btu/hr (R-404A)		12,000 Btu/hr (R-404A)	
Drive Motor	Two - 3/4 hp			
Air Flow	Air cooled units require 3" (7,6 cm) air space on both sides			
Plumbing Fittings	Water cooled units require 3/8" N.P.T. water and drain fittings.			
Hopper Volume	Two - 3 gallon (11,35 liters)			
Freezing Cylinder Volume	Two - 0.65 gallon (2,46 liters)		Two - 0.85 gallon (3,22 liters)	

Continuous research leads to ongoing product improvements; therefore, these specifications are subject to change without notice and should not be used as installation specifications.

* Machine requires a dedicated electrical circuit.

Distributed by:



FOODSERVICE EQUIPMENT
 502 Highway 67 • Kiel, WI 53042-1600
 920-894-2293 • 800-558-5807
 Fax: 920-894-7029
 E-mail: foodservice@stoelting.com
 www.stoeltingfoodservice.com

ISO 9001:2008 Registered

Certified, Listed and/or Recognized by:



STMF-132 02/12